

## MecMast tilting solutions

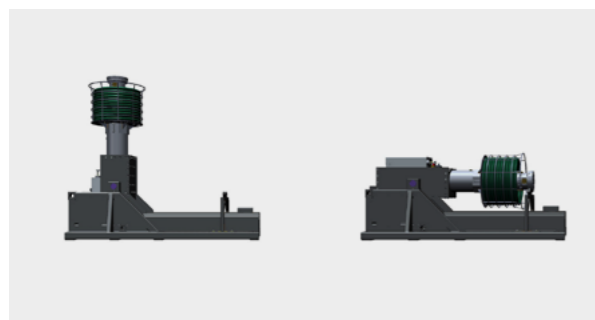
For the MecMast series Fireco has developed special mounting solutions which allow to move the mast assembly from the horizontal to the vertical position and vice versa. This option renders the mast in the retracted state more compact and reduces the space that is necessary for its installation.

In addition, the possibility to tilt the mast down to the horizontal position facilitates the operators' access to the mast top and thus makes it easy to mount, dismount or modify

The **MecMast ROOF** is a compact palletised configuration suitable for installations on vehicle platforms such as military trailers or trucks. Fireco manufactures a light and a heavy version of this product, both designed to perfectly suit customers' needs.



LIGHT VERSION > PAYLOAD UP TO 100 KG



HEAVY VERSION > PAYLOAD UP TO 250 KG



(A) MANUALLY OPERATED WINCH (B) ELECTRICALLY OPERATED WINCH

The **90° TILT mechanism** is a unique device that is suitable for mounting the MecMast on the outside of a vehicle or on other structures. This mechanism allows the tilting of the mast from vertical to a position which is more accessible for the users. This permits to easily mount important payloads on the mast top without exposing the personnel to risky heights.

## Electrically and manually turnable base

The MecMast is the only electromechanical mast on the market, that is available with a manually or an electrically turnable base. With the electrically turnable base the position can be preset and the degree of rotation can be displayed

with a precision of 1°. Also in case of temporary power loss the system will always show to the operator the correct rotating angle of the mast, even if it has been manually moved during the black-out.



MANUALLY TURNABLE BASE



ELECTRICALLY TURNABLE BASE

---

**ITALIAN HEADQUARTERS**

---

**Fireco S.r.l.**

Via E. Fermi, 56 - 25064  
GUSSAGO (BS) - ITALY  
Tel.: +39 030 3733916  
Fax: +39 030 3733762  
info@fireco.eu  
www.fireco.eu

FIRECO.EU



---

**BELGIUM**

---

**Fireco Systems N.V.**

Diestersteeweg, 142  
3510 KERMT (HASSELT) - BELGIUM  
Tel.: +32 11851602  
Fax: +32 11851604  
info@fireco.be  
www.fireco.be

---

**FRANCE**

---

**Euromast S.a.r.l.**

ZA du Pontet - 90, Allée des Erables  
73420 DRUMETTAZ - CLARAFOND - FRANCE  
Tel.: +33 479349215  
Fax: +33 479349216  
fireco@euromast.fr  
www.euromast.fr

---

**SPAIN**

---

**Hispamast, S.L.**

C/Estañó, 30  
28510 CAMPO REAL (MADRID) - SPAIN  
Tel.: +34 918733733  
Fax: +34 918765141  
info@hispamast.com  
www.hispamast.com

---

**USA**

---

**Fireco US**

1740 N Gateway Blvd  
FRESNO, CA 93727, US  
Tel.: +1 559 353-2823  
Fax.: +1 559 255-7012  
info@firecousa.com  
www.firecousa.com

---

**MALAYSIA**

---

**Fireco Asia Sdn Bhd**

9, Jalan TP 3/2, Taman Perindustrian UEP  
47620 SUBANG JAYA - MALAYSIA  
Tel.: +603 8011 2300  
Fax: +603 8081 2367  
gc@fireco-asia.com  
www.fireco-asia.com

---

**AUSTRALIA**

---

**EVTA Group PTY LTD**

12 Meek Street,  
NEW GISBORNE, VICTORIA, 3438 - AUSTRALIA  
Tel.: +61 354207444  
Fax: +61 354207834  
info@evtagroup.com.au  
www.evtagroup.com.au

